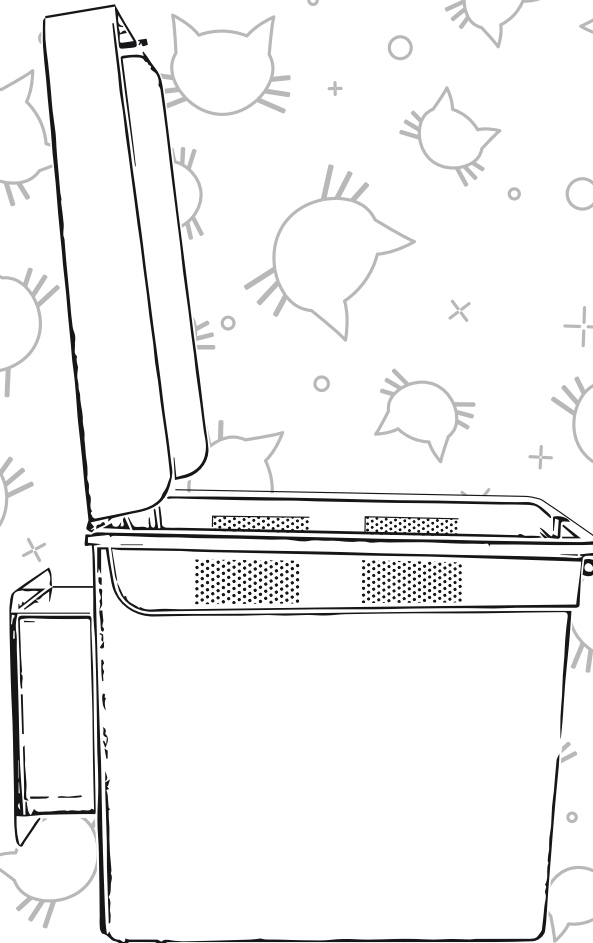




Privy[®] kitty

INSTALLATION GUIDE



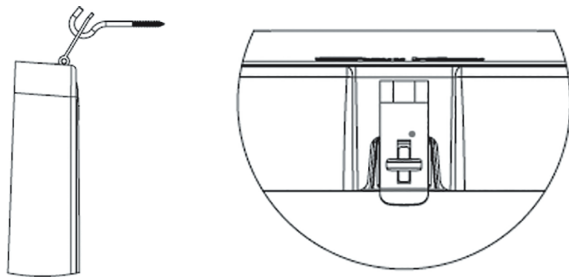
Read this manual completely for cautions, notes and warnings: before proceeding with installation.

CAUTIONS:

1. Observe note on tape inside Privy main box and lid. Caution! Remove tape after installation. Lid is made to open to 110°, do not force open past the stop.

2. When servicing the Privy Kitty the lid lever must remain hooked onto the wall hook for safety. Close the lid to keep cats inside the house, when finished.

3. When closing the lid, hold the Latch eye to lower the lid into closed position.



4. Turn hasp to prevent outsiders from opening.

5. Do not stand, sit, or load any objects on the Privy. Privy is made to hold a maximum load 70 lbs., when properly anchored. Normal cats weight is about 8 to 14 lbs.

6. This product is not for human consumption.

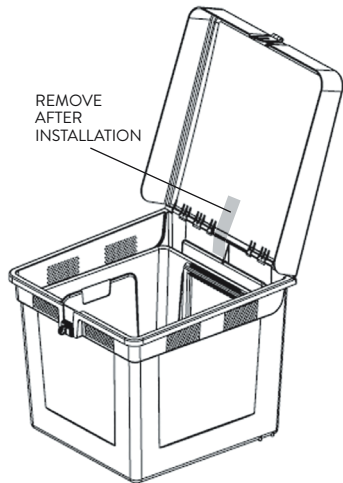
7. This product is not a toy, and not for children. Take precautions to keep small children away from this or any litter box used for animals.

8. Keep babies and small children away from privy. It is up to the owner to take safeguards when installing an opening over 4"x4" in their home. Purchasing and installing this unit is at the owners discretion and responsibility.

9. This unit is made for a wall that has structural studs, not a door or window.

10. Inspect parts for factory defects. Privy Kitty is not returnable after installation.

11. The user is solely responsible for the use of this product.



INCLUDED PARTS: See illustration below.

1. Outer box and lid. This unit is to be transported with the lid in closed and locked position.

2. Removable litter liner box

3. Ledger

4. Portal entrance mat

5. Exterior exit portal

6. Lid hook

7. Interior portal entrance

8. Hold downs

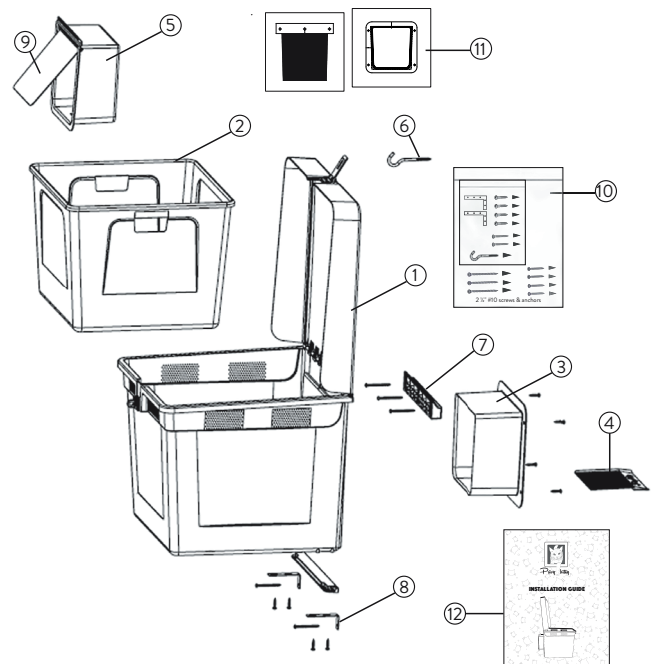
9. Vapor flap

10. Screw and anchor packet

11. 2 Paper templates

12. Installation guide

4 - #10 entrance screws
4 - #8 hold down screws
2 - #10 hold down screws
3 - #10 ledger screws
Anchors



Read instructions carefully

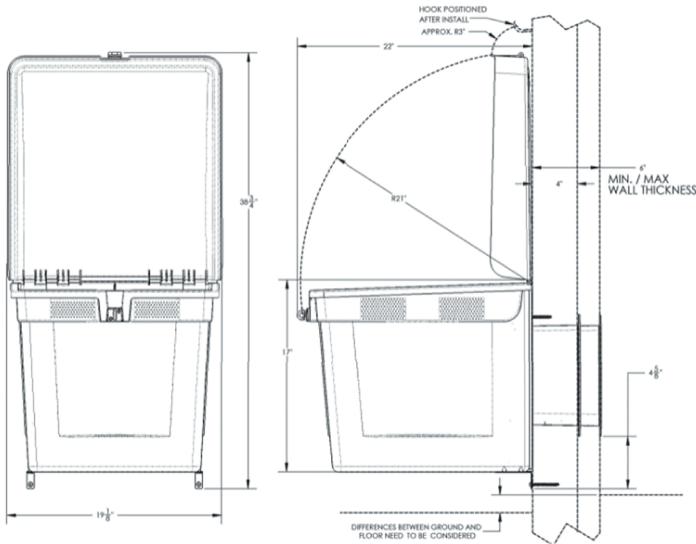
1. We recommend you hire a licensed contractor or handyman to install your Privy Kitty. If you have good knowledge of construction and the tools to perform the tasks at hand, it can also be a good Do It Yourself project.

2. Inspect Privy Kitty prior to installation for any damaged or defective parts. Shipping damage must be reported upon arrival of your delivery. Goods must be inspected before installation. Installer assumes responsibility for damage to parts caused by installation. Call or email us right away and let us know the problem, at Privy Customer Service: info@privykitty.com, or phone 877 84 PRIVY (877) 847-7489, during normal business hours, Pacific Standard Time 9AM to 3PM Monday through Friday, or leave a message for a return call.

Choosing the right Privy Location:

All homes are not made the same, so with each home, take these things into consideration.

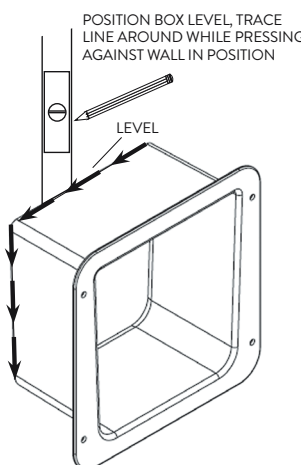
1. You and/or the contractor will be responsible for the installation and care for the parts.
2. Choose a place on the outside of your house that can be available from the inside on the other side of the wall where you have chosen to have the Privy Kitty entrance.
3. Make sure the area fits the parameters needed. (see Privy measurements, including with the lid open) and make sure it will fit in your chosen location.



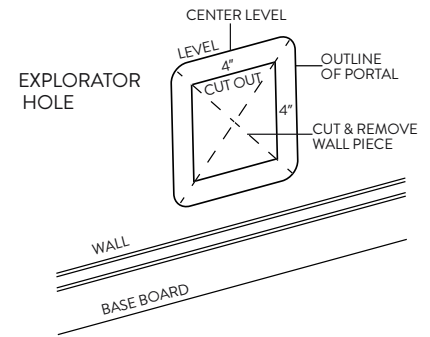
4. Take your time to choose the right location. Choose an area between studs clear of obstacles.
5. Take a good look, and make sure the location you have chosen will not interfere with plumbing pipes, electrical wiring, or vent ducting that may be hidden in the wall.
6. If possible, the easiest installation for Privy Kitty is in between wall framing studs, with no interference. Although you may encounter different wall thicknesses, or some wires or pipes that need to be moved a bit at your own discretion, or you may want to choose another location for an easier installation.

7. Once you have made your choice, place and press the privy entrance portal to the wall where you want it. Make sure the portal casing flange will clear anything on the wall round it including the baseboard, level it and trace a pencil line around it.

8. After you have traced out your Privy entrance location, mark the center of the entrance with a pencil mark vertical level line. Check the level at top going horizontal. Every angle must be level.

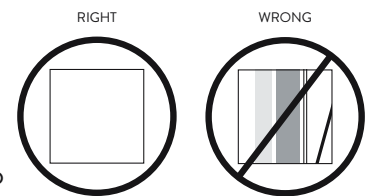


9. Explore the interior of the wall. Make an exploratory hole with your tool of choice, cutting about 4"x4", staying inside the thickness of the drywall while making your cut. Be very careful you do not cut anything inside the wall.

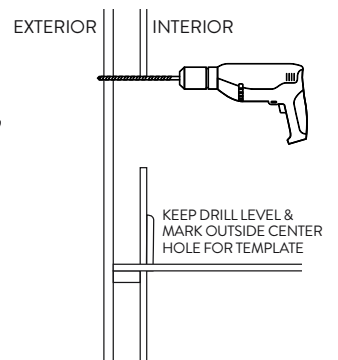


10. Keep in mind the Privy must be placed between wall framing studs. Inspect inside the hole with a probe and check for obstacles. You may need to remove some insulation or alter an obstruction out of the way. Adjusting to fit between the wall studs is easiest, (close the hole if it doesn't work for you), and choose a different location. Go to the next step if this location is acceptable.

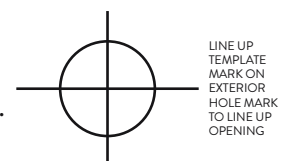
11. If there are no obstructions, cut out on your traced line, and remove the rest of the wall material to allow for the interior portal to be placed through after step number 12. Walls usually consist of drywall or paneling of some sort, and insulation.



12. At the marked vertical line you drew at the top of your hole, see where it is marked at the top center and with your long drill bit, point it straight through and level to the outer wall and drill a hole to the outside. This marks the center of the outer hole on the exterior side where you will use the template to mark where you need to cut and drill.



13. Take the template to the outside cutting location and place it on the hole you just made. Line up the registration mark on top of the hole. Use a level to make sure it is level, and tape it in place with masking tape.



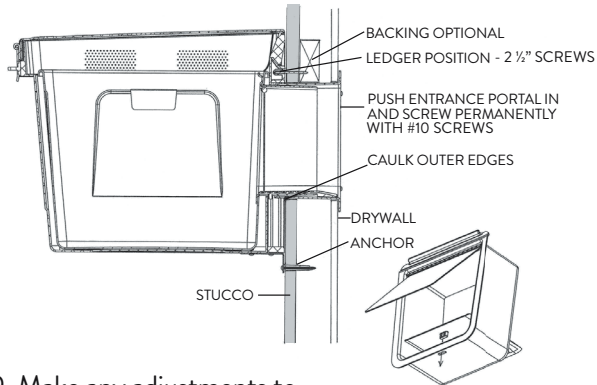
14. Use a pencil, making sure all is level, mark the outline of the hole on the exterior wall, and mark the screw hole locations at the same time that are also on the template just above the hole cut out area.

15. After you are satisfied with the tracing and screw location marking, proceed to cut out that portion of the wall where the portal will be coming through.

16. After the wall material is cut out, you can set it aside and save it for future use if desired.

17. At this point, you may want to install some backing for the screws, if your wall needs better support. The weight is not too much and normally the anchors will be adequate.

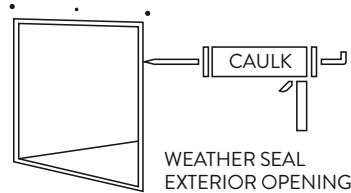
18. Return to the inside of the house.



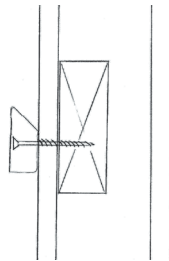
19. Make any adjustments to make sure holes line up and portal sets level.

20. Now that you have the portal pushed through, screw in place permanently.

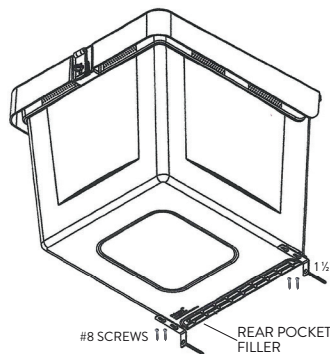
21. Go back outside and caulk the outside where the entrance portal back meets the exterior. You may need to apply weather barrier paper if your wall is extra thick. Note-keep the portal free of any obstructions.



22. Install the Ledger where you have marked the screw holes above the exterior hole. Pre-drill the holes to see if you find a stud. You may add backing if desired (supplied by owner). Install anchors where there are no studs. This is usually adequate. Use the 2 1/2\"/>



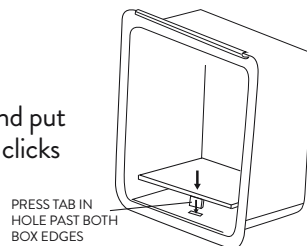
23. Mount the outer box onto the Ledger. Check the fit and make sure you have it all the way on the ledger, and leave it hang there. All opening should be lined up through to the inside of the house.



24. Lay in the reusable litter liner box with the entrance openings lined up.

25. Slide in the exterior exit portal into the opening.

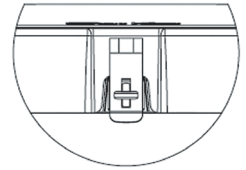
26. Lay in the Privy entrance mat and put the mat pin into the slot, till the pin clicks in past the two walls of the liner and the outer box.



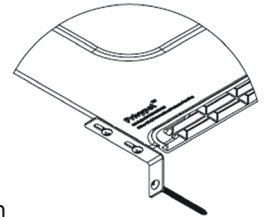
27. Fill the box with some of your cats used litter, and some fresh litter, about 3". Mix it so they can smell their scent just a little in the new litter. When they smell their scent they will understand the box is for them.

28. Close the lid and latch the hasp.

29. In certain conditions you may choose to use the hold downs for extra protections.

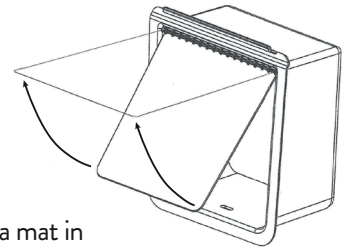


30. Place the kitty's current litter box next to the Privy entrance inside the house. It won't be long till kitty discovers the new Privy Kitty restroom.



31. When your kitty starts using the New Privy, Remove the old box from the house, and experience the luxury of the clean free space the Privy Kitty creates.

32. Install the vapor flap from the exterior, by holding it horizontal and slipping it into the slots. Let it drop down in its vertical swinging position.



We suggest keeping some sort of a mat in front of the privy to help handle tracking. On the mat, you may provide kitty with fresh water every day. It helps coax them to their new restroom area. Although it is basic instinct for a cat to be curious and the cat will investigate and start using the Privy right away.

Installation is at the discretion of the buyer.

Note: Although there is some ultra violet protection in the outer box ABS plastic to protect from the suns damage, you may also paint your Privy Kitty with acrylic water based paint for the best guard against the suns rays.

WARRANTY:

This product is warranted to be free of factory defect for 90 days. Once the unit has been installed it is not returnable. Returns for other reasons are acceptable within 30 days of delivery, unopened. Restocking fees may apply. Parts may be replaceable if found to have a manufacturer defect, without sending back the whole unit, at Privy returns 877 84 PRIVY (877) 847-7489.

There are many different climates where the Privy may be shipped to and used by cats on a daily basis. It is up to the owner to take the necessary precautions for the privy and its use as needed in their climatically unique condition.

THERE IS NO IMPLIED WARRANTY OF MERCHANTABILITY AND NO WARRANTY THAT THE GOODS WILL BE FIT FOR A PARTICULAR PURPOSE.

IN NO EVENT SHALL OUR COMPANY BE LIABLE FOR ANY DIRECT, INDIRECT, PUNITIVE, INCIDENTAL, SPECIAL CONSEQUENTIAL DAMAGES, TO PROPERTY OR LIFE, WHATSOEVER ARISING OUT OF OR CONNECTED WITH THE USE OR MISUSE OF OUR PRODUCTS.